

## T-Nuts

Steel / Stainless Steel, accessory for profile systems, without guide step

### SPECIFICATION

#### Version in Steel

Steel  
zinc plated, blue passivated

#### Version in Stainless Steel

Stainless steel **NI**

Ball  
Stainless Steel

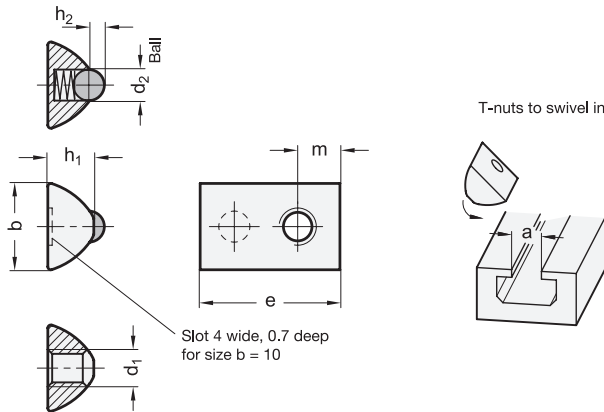
Spring  
Stainless Steel

### INFORMATION

T-Nuts GN 506.1 can be turned into position, i.e. they can be inserted at any point along the slot.

The spring loaded ball will prevent an unwanted movement of the nut in the slot which can easily occur on a bed with the T-slots in a vertical position.

As an example Nuts GN 506.1 can be used to fit hinges to commercially available extrusion rails.



### GN 506.1

Description	b	d1	d2	e +0.5	h1	h2	m	For slot width a	⚖
GN 506.1-8-M3	8 -0.1	M3	3	12	4.25	0.7	4	5	2
GN 506.1-8-M4	8 -0.1	M4	3	12	4.25	0.7	4	5	2
GN 506.1-8-M5	8 -0.1	M5	3	12	4.25	0.7	4	5	2
GN 506.1-10-M3	10 +0.3	M3	4	17.5	6.25	1.15	5	6	5
GN 506.1-10-M4	10 +0.3	M4	4	17.5	6.25	1.15	5	6	5
GN 506.1-10-M5	10 +0.3	M5	4	17.5	6.25	1.15	5	6	5
GN 506.1-10-M6	10 +0.3	M6	4	17.5	6.25	1.15	5	6	4
GN 506.1-14-M4	14 -0.2	M4	5	22.5	7.4	1.7	6.8	8	11
GN 506.1-14-M5	14 -0.2	M5	5	22.5	7.4	1.7	6.8	8	11
GN 506.1-14-M6	14 -0.2	M6	5	22.5	7.4	1.7	6.8	8	10
GN 506.1-14-M8	14 -0.2	M8	5	22.5	7.4	1.7	6.8	8	10

### GN 506.1-NI

#### STAINLESS STEEL

Description	b	d1	d2	e +0.5	h1	h2	m	For slot width a	⚖
GN 506.1-14-M4-NI	14 -0.2	M4	5	22.5	7.4	1.7	6.8	8	11
GN 506.1-14-M5-NI	14 -0.2	M5	5	22.5	7.4	1.7	6.8	8	11
GN 506.1-14-M6-NI	14 -0.2	M6	5	22.5	7.4	1.7	6.8	8	10
GN 506.1-14-M8-NI	14 -0.2	M8	5	22.5	7.4	1.7	6.8	8	10

